

VOLTA

BATTERIES

Motive Power (6V & 8V) Batteries

We are also pioneer in manufacturing advanced motive power batteries in Pakistan. Our range of Golf Cart batteries is manufactured in Tubular Plate & Pasted plate version.



**Longer Life
Deep Cycle Battery**



Motive Power (6V & 8V) Batteries

Application

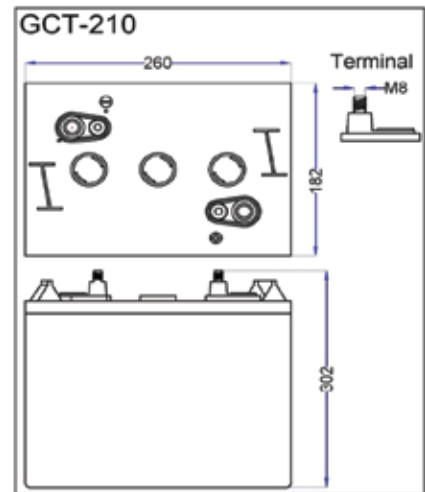
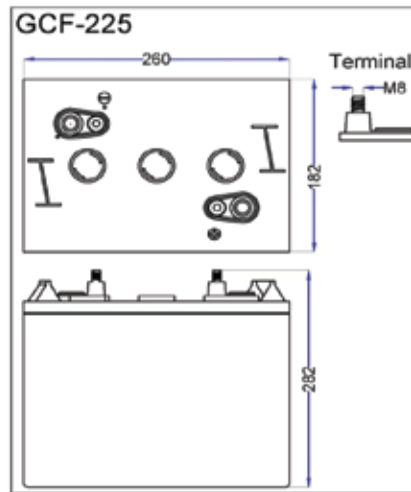
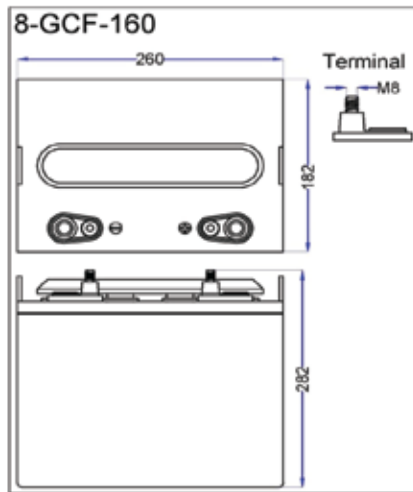
- For Golf Carts
- Electric Fork Lifters
- Electric Vehicles
- Electric Floor Machineris

Product Feature

- Flooded / wet battery
- Deep cycle battery.
- Container and cover material : Polypropylene
- PE separator.
- Excellent charge acceptance
- Long life service battery

Main Specification & Type

| Type | Plate | Nominal Voltage | Overall Dimensions±2 (mm) | | | | Appox Weight with Acid (±5% kg) | 25A Discharge Reserve Capacity(Mins) | 20 Hour Rate Capacity (AH) | Terminal type |
|---------|---------------|-----------------|---------------------------|-----|-----|-----|---------------------------------|--------------------------------------|----------------------------|---------------|
| | | | L | W | H | TH | | | | |
| 8GCF160 | Flat plate | 8 V | 260 | 182 | 248 | 282 | 31 | 321 | 160 AH | Stud |
| GCF 225 | Flat plate | 6 V | 260 | 182 | 248 | 282 | 30 | 437 | 225 AH | Terminal |
| GCT 210 | Tubular plate | 6 V | 260 | 182 | 268 | 302 | 31 | 400 | 210 AH | |



Technical Data

Charger voltage settings at 25°C

| System Voltage | 6V | 12V | 24V | 36V | 48V |
|----------------|------|------|------|------|------|
| Daily Charge | 7.4 | 14.8 | 29.6 | 44.4 | 59.2 |
| Float | 6.6 | 13.2 | 26.4 | 39.6 | 52.8 |
| Equalize | 7.75 | 15.5 | 31 | 46.5 | 62 |

Do not charge batteries non ventilated area.

Under and over charging will damage the battery and shorten its life as with any batteries.

Charging temperature coefficient

| Temperature | Coefficient factor | |
|-------------|--------------------|----------------------------|
| Below 25°C | 0.28 V | Add 0.28 V /Every 5°C |
| Above 25°C | 0.28 V | Subtract 0.28 V /Every 5°C |

Operation Temperature

Operation Temperature: -20°C~45°C

At 0°C maintain a state of charge greater than 60%

Self discharge

5~10% /month depending on storage temperature condition



Pakistan Accumulators (Pvt) Limited

Factory: Plot # 20, 21, 22 Phase III, Industrial Estate, Hattar, Distt. Haripur KPK, Pakistan

UAN: +92-51-111-22-00-22, Fax: +92-51-2855164 | URL: www.volta.com.pk | Email: VRLA@volta.com.pk

*All data and specifications are subject to change without any prior notice.