

# VOLTA

## BATTERIES

### MCB VRLA (12V) Batteries

VRLA AGM batteries are known for quality and long lasting performance. Our range of motorcycle battery products in VRLA versions is from 3.5 AH to 9 AH. These batteries are used in motorcycles as well as in utility equipment like lawn mowers, computers etc. VRLA MCB batteries are sealed with immobilized electrolyte which does not require top-up during use.



**Sealed Valve Regulated Lead Acid  
Motorcycle Batteries**



## MCB VRLA (12V) Batteries

### Application

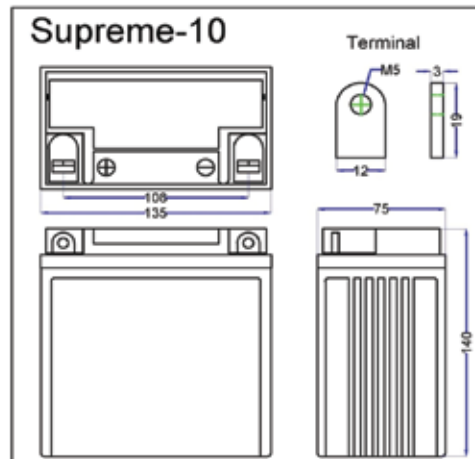
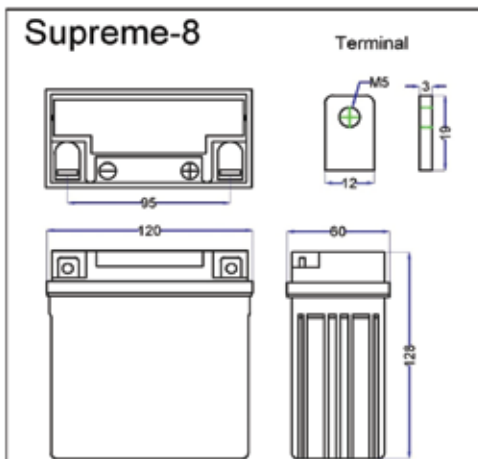
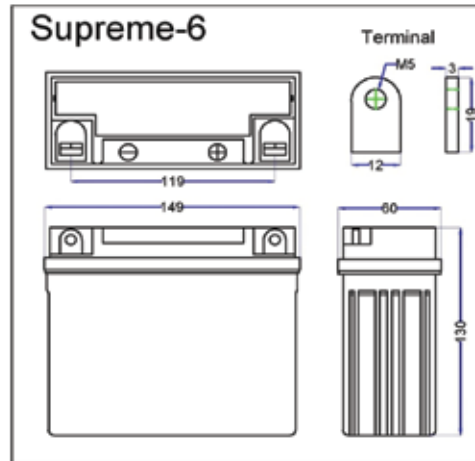
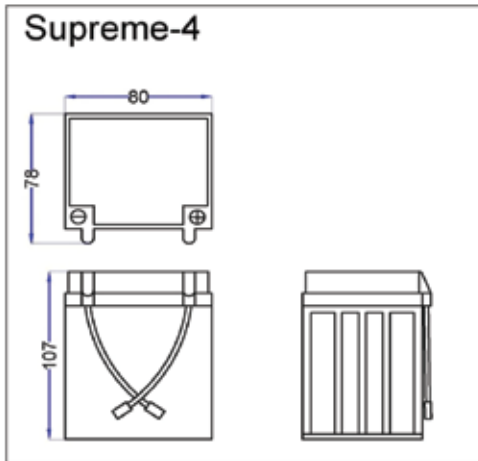
- Kick Start Motor Cycles
- Self Start Motor Cycles
- Self Start 3 Wheeler
- 1~2.5 KV Generator

### Product Feature

- Sealed & maintenance free operation.
- AGM and gas recombination technology with 98% internal recombination.
- Non-Spillable construction design.
- ABS container & cover
- Safety valve installation for explosion proof.

### Main Specification & Type

International Nomenclature	Type	Nominal Voltage	Overall Dimensions±2 (mm)				Appox Weight with Acid (±5% kg)	10 Hour Rate Capacity (AH)	Terminal Type
			L	W	H	TH			
	Supreme 4	12V	80	78	107	107	1.3	2.5AH	Lead Wire
12N5-3B	Supreme 6	12V	149	60	130	130	2.1	5AH	Bolt & Nut
12N7-3B	Supreme 8	12V	120	60	128	128	2.8	7AH	Bolt & Nut
12N9-4B	Supreme 10	12V	135	75	140	140	3.5	9AH	Bolt & Nut



## Technical Data

Low self discharge: Less than 3% /month.

Anti-vibration characteristic

12.7V, No leakage of electrolyte, No breakage of container, after vibrating vertical acceleration rate of 68.6m/s<sup>2</sup> frequency 50-500HZ for 2 hours

Can be store for a long time period and no need to recharge during storage

But, boost charging is required every six months to maintain battery performance and extend life.

## Boost Charge

Type	Charging current(A)	Storage period	Boosting Charging (Time)		
			Summer	Winter	
VRLA	0.1 C <sub>10</sub> A	15days~1months	1 Hr	1 Hr	Ordinary: 3 months Maximum: 6 months
		2 months	2 Hr	2 Hr	
		3 months	3.5 Hr	3Hr	
	1/2*0.1 C <sub>10</sub> A	4 months	8 Hr	8 Hr	
		5 months	10Hr	9 Hr	
		6 months	12Hr	10 Hr	

Summer: May~September, Winter: October~April

Keep temperature below 50°C during boost charge.



Pakistan Accumulators (Pvt) Limited

Factory: Plot # 20, 21, 22 Phase III, Industrial Estate, Hattar, Distt. Haripur KPK, Pakistan

UAN: +92-51-111-22-00-22, Fax: +92-51-2855164 | URL: [www.volta.com.pk](http://www.volta.com.pk) | Email: [VRLA@volta.com.pk](mailto:VRLA@volta.com.pk)

\*All data and specifications are subject to change without any prior notice.