

VOLTA

BATTERIES

NP Series VRLA (12V) Batteries

VRLA AGM batteries are known for quality and long lasting performance. Our small range of VRLA batteries NP Series are completely Sealed Lead Acid VRLA MF batteries with immobilized electrolyte.



**Sealed Valve Regulated Lead Acid
Motorcycle Batteries**



NP Series VRLA (12V) Batteries

Application

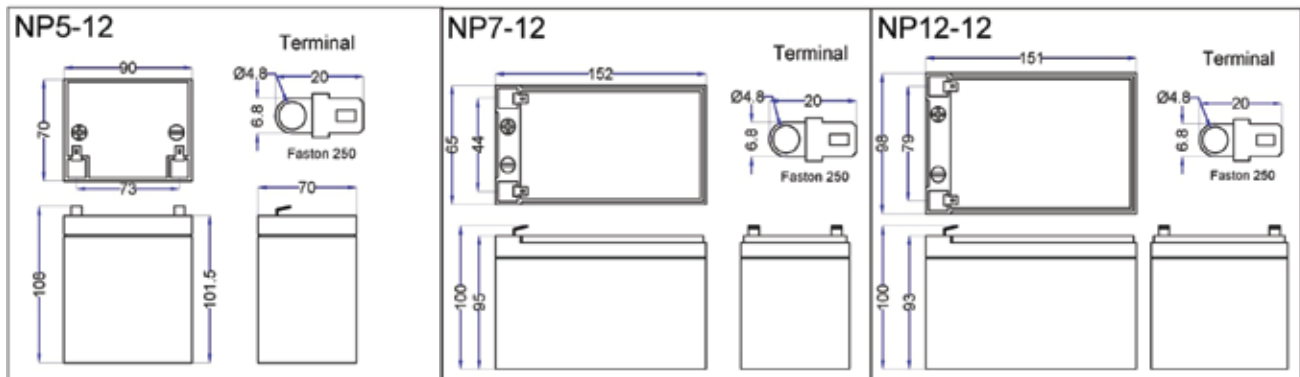
- UPS
- Solar System/Inverters
- Charging Fans
- Pathology Lab Equipment
- Electric Toys
- Lawn Movers
- Emergency Lights

Product Feature

- Excellent recovery from deep discharge.
- Gas recombination.
- AGM separator technology
- Lead calcium grid for Low self discharge
- No acid leakage from container and terminal
- Low maintenance operation.
- ABS container & cover.

Main Specification & Type

International Nomenclature	Type	Nominal Voltage	Overall Dimensions±2 (mm)				Appox Weight with Acid (±5% kg)	10 Hour Rate Capacity (AH)	Terminal Type
			L	W	H	TH			
NP5-12	NP5-12	12V	90	70	101.5	108	1.65	5AH	Faston F2
NP7-12	NP7-12	12V	152	65	95	100	2.5	7AH	Faston F2
NP12-12	NP12-12	12V	151	98	93	100	3.6	12AH	Faston F2



Technical Data

Lead calcium alloy grids provide excellent performance and life in both cyclic and float application. Depending upon the average of discharge. Over a thousand discharge / charge cycles can be expected. The special AGM separator provides an efficient insulation between plates preventing inter plate short circuit and preventing the shading of plate active material.

Rate Capacity

		NP5-12	NP7-12	NP12-12
Capacity	20 Hour Rate (F.V1.75V/Cell, 25 °C)	5 AH	7 AH	12 AH
	10 Hour Rate (F.V1.75V/Cell, 25 °C)	4.7 AH	6.6 AH	11.3 AH
	5 Hour Rate (F.V1.70V/Cell, 25 °C)	4.2 AH	5.9 AH	10.1 AH
	1 Hour Rate (F.V1.60V/Cell, 25 °C)	3.2 AH	4.5 AH	7.7 AH

Internal resistance

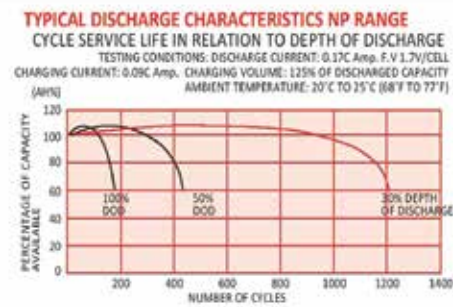
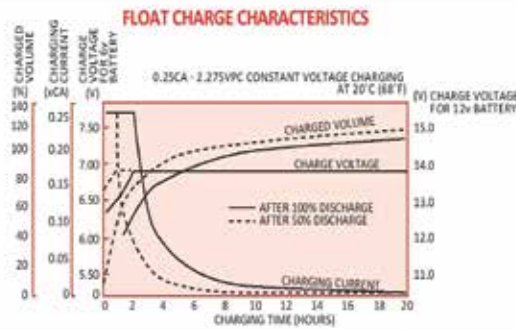
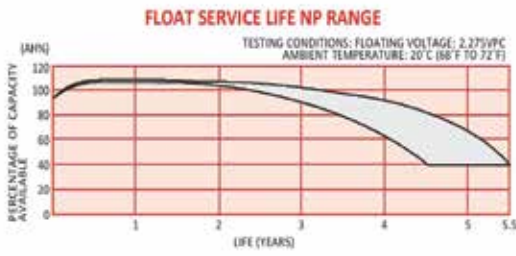
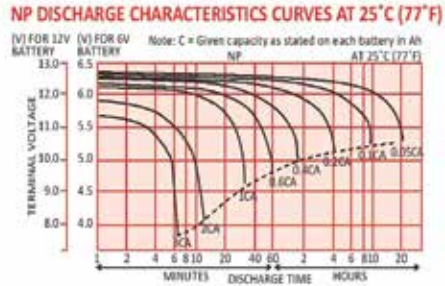
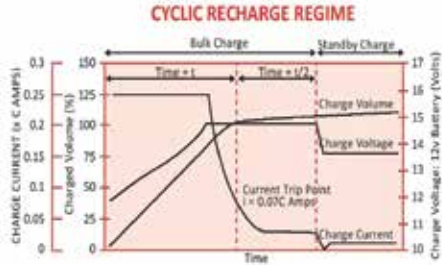
Internal resistance Fully charged battery @25°C	35 mΩ	25 mΩ	16 mΩ
---	-------	-------	-------

Self discharge

3 Month	8~9%
6 Month	17~19%
12 Month	32~35%

Charging

Charging	Cycle used	14.4~14.7V
	Float used	13.5~13.8V



Pakistan Accumulators (Pvt) Limited

Factory: Plot # 20, 21, 22 Phase III, Industrial Estate, Hattar, Distt. Haripur KPK, Pakistan

UAN: +92-51-111-22-00-22, Fax: +92-51-2855164 | URL: www.volta.com.pk | Email: VRLA@volta.com.pk

*All data and specifications are subject to change without any prior notice.